

WARNING! Buyer/user assumes all responsibility for safety and proper use not in accordance with the directions and safety labels.



HIGH OUTPUT T5 Fluorescent 4 Lamp Lighting System

(4 Row Lamp Configuration)

- **World's Most Advanced Aquatic Lighting System**
- **14X Light Amplifying Paradyamic Reflector**
- **Dual Sealed, Moisture Resistant Fixture**
- **Premium UL Listed GFCI Plug**
- **Sealed Glass Splash Guard**
- **On/Off Switch**
- **Energy Efficient**
- **Ultra-Silent & No Fan Needed**

- **READ AND FOLLOW THE GUIDELINES TO ENSURE THE PROPER USE AND APPLICATION. FAILURE TO FOLLOW THESE GUIDELINES MAY RESULT IN FIXTURE DAMAGE, ELECTRICAL SHOCK, FIRE AND/OR INJURY.**
- **WARNING! LAMPS CAN BE HOT. HANDLE WITH CARE.**
- **NEVER TOUCH THE LAMP WHILE OPERATING. BEFORE WORKING ON THE FIXTURE AND/OR AQUARIUM, THE FIXTURE MUST BE DISCONNECTED FROM THE POWER SUPPLY.**

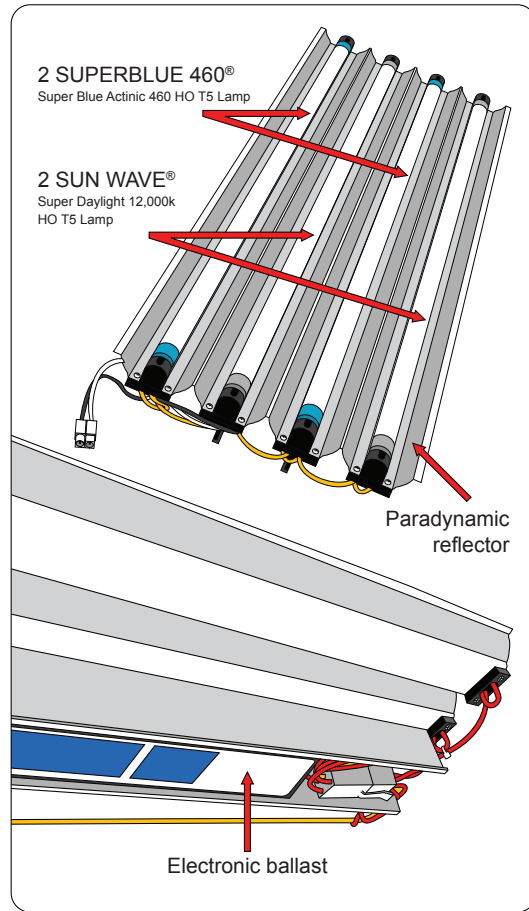
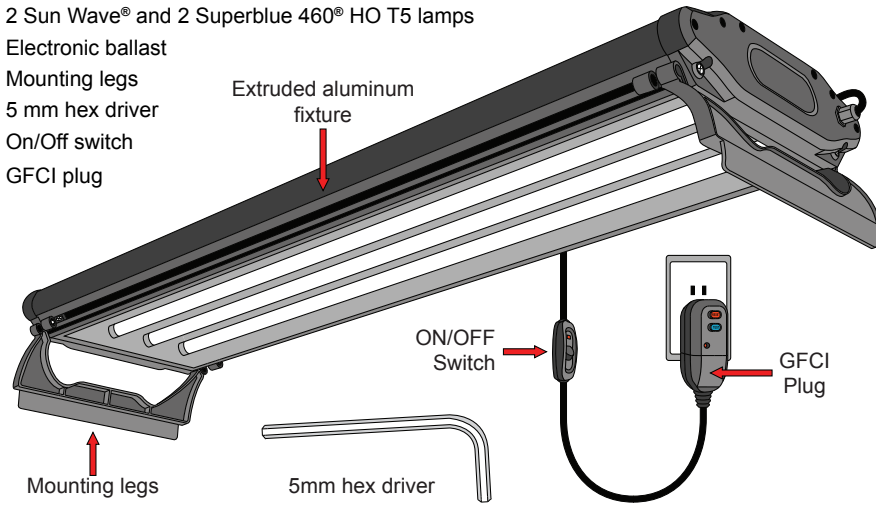
WAVE POINT® High Output T5 Fluorescent 4 Lamp Lighting System (4 Row Lamp Configuration)

Includes: 2 Sun Wave® and 2 Superblue 460® lamps

MODEL #	DESCRIPTION
01001	96 watt 24in High Output (4x 24w) T5 4 Lamp Lighting System
01002	156 watt 36in High Output (4x 39w) T5 4 Lamp Lighting System
01003	216 watt 48in High Output (4x 54w) T5 4 Lamp Lighting System

PART LIST

1. Extruded aluminum fixture
2. 14X Light Amplifying Paradyamic Reflector
3. 2 Sun Wave® and 2 Superblue 460® HO T5 lamps
4. Electronic ballast
5. Mounting legs
6. 5 mm hex driver
7. On/Off switch
8. GFCI plug



IMPORTANT WARNING AND SAFEGUARDS

This product may contain chemicals known to the state of California to cause cancer and or birth defects or other reproductive harm. Wash your hand after handling this product.

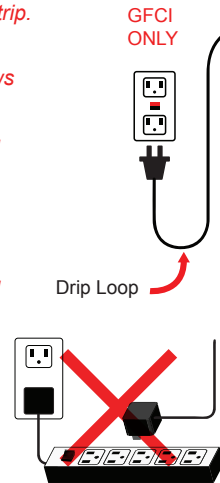
It is your sole responsibilities to verify that the plug and the receptacle are clean and free of moisture and salt build up at all times. The receptacle must be free of water, salt, calcium, magnesium and dust. Failure to do so can cause fire, damage to property, permanent damage to the product and personal injury not limited to loss of life.

Do not plug into extension cord/power strip.

*Hg lamp contains Mercury
Manage in accordance with disposal laws
See: www.lamprecycle.org*

A drip loop must be used when plugging all electrical aquarium devices. A drip loop is that part of the cord hanging below the receptacle.

The national code requires that a GFCI (Ground fault circuit interrupter) be used in the branch circuit supplying all power to water pumps and electrical aquarium equipment. If you do not have a GFCI, have an electrician install one prior to operating any aquarium component.



Read and follow the guidelines to ensure the proper use and application. Failure to follow these guidelines may result in light fixture damage, electrical shock, fire and/or injury.

1. Use this product for its intended use only.
2. Never yank or pull the cord from the electrical outlet.
3. Do not place the light fixture directly on top of the aquarium without using mounting legs.
4. Do not operate if the plug or wire is damaged.
5. The light fixture is not to come in contact with water.
6. The light fixture must be turned off/disconnected from the power supply before any maintenance is done to either the light fixture or the aquarium.
7. Verify that hands are dry prior to disconnecting the power.
8. To reduce the risk of electrocution keep all connections dry.
9. If the light fixture falls or comes in contact with water/excess moisture, unplug the light fixture from the power supply immediately before removing. Failure to do so may cause electrical shock or injury.
10. The light fixture and connections need to be free of water, moisture and salt build up at all times. Failure to do so will cause electrical arcing resulting in possible fire or electrical shock.
11. Do not place above an open top aquarium.

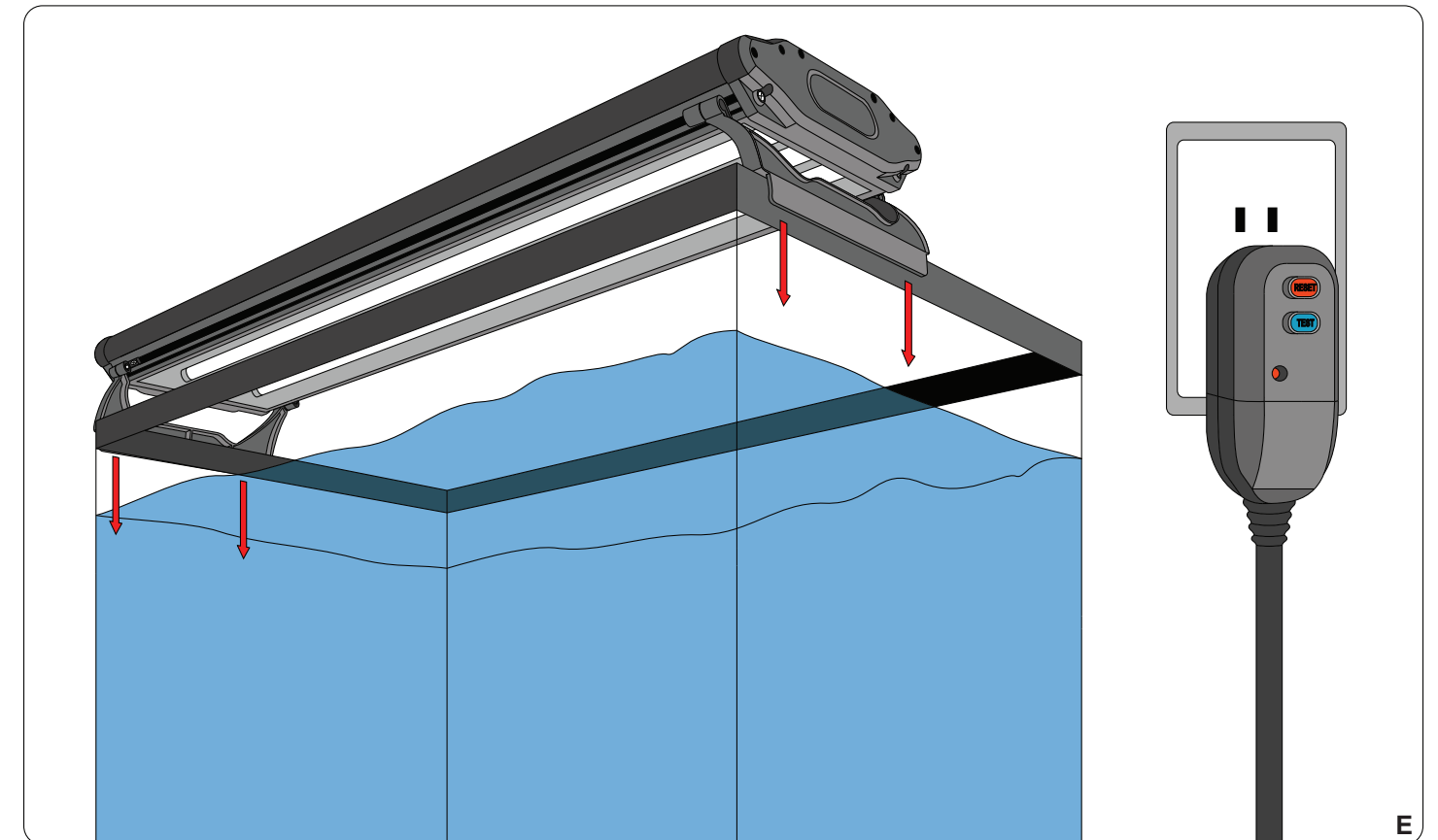
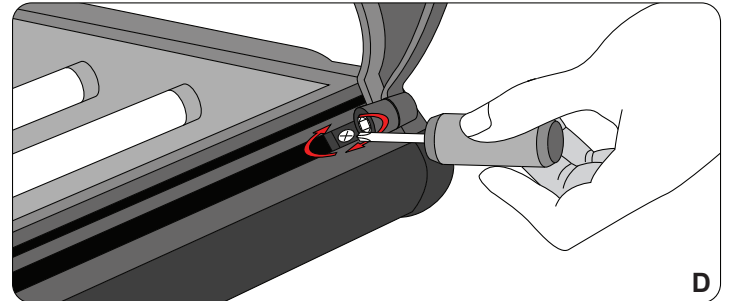
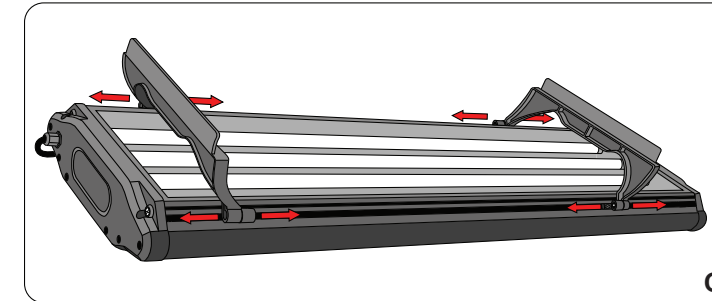
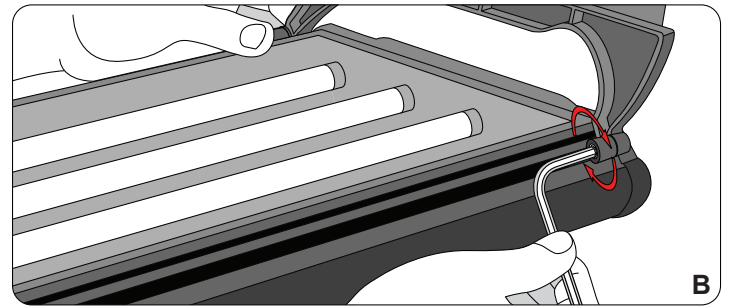
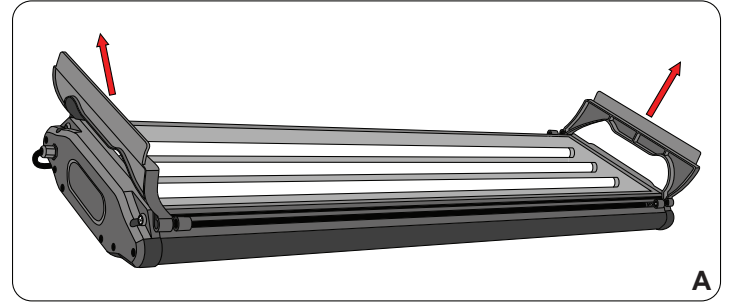
INSTRUCTIONS FOR INSTALLATION

NOTE: Only place in well ventilated canopy or enclosing fixture. This light fixture is intended to be above the aquarium. Do not place directly on top of any aquarium without using mounting legs. Do not place above the aquarium without a glass top.

INSTALLING LEGS TO THE FIXTURE

Required tools: 5 mm hex driver & Philips screwdriver

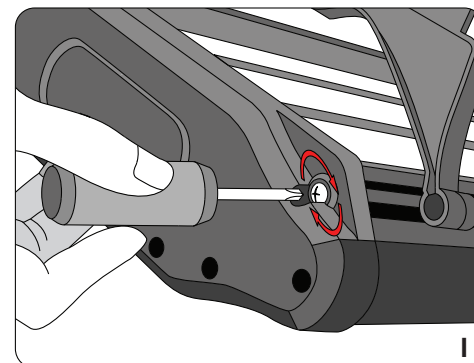
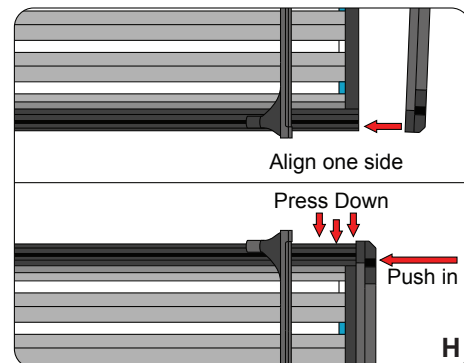
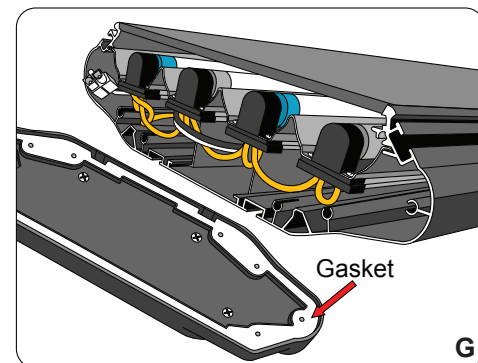
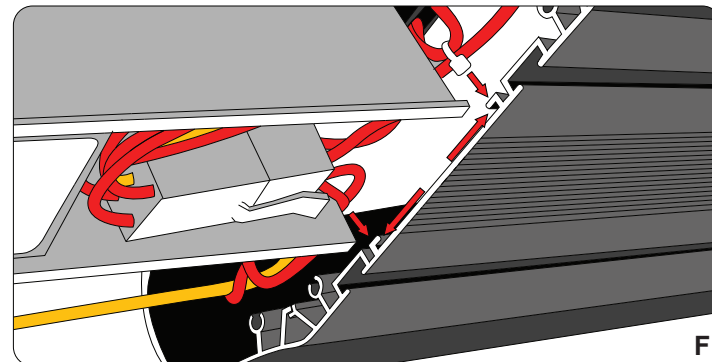
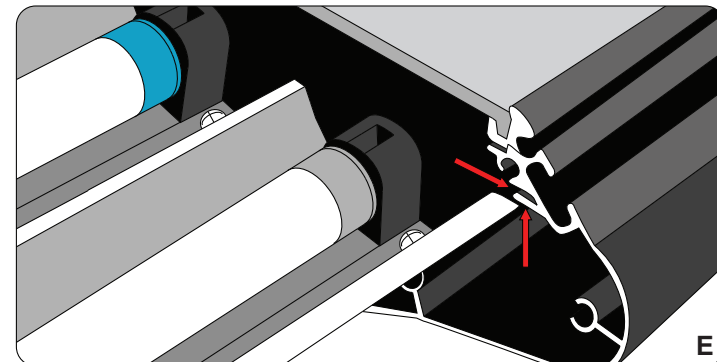
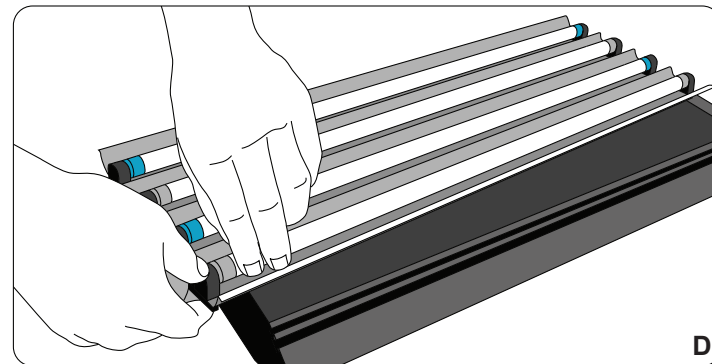
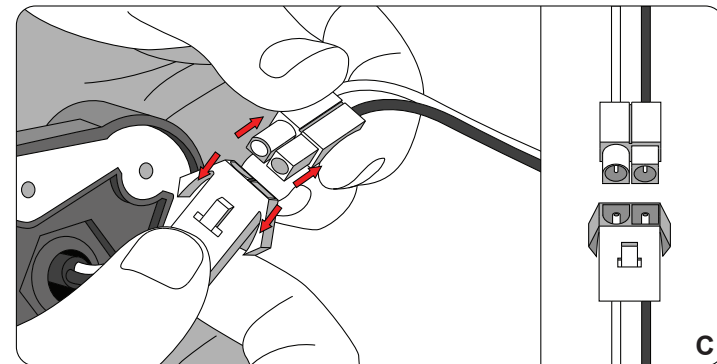
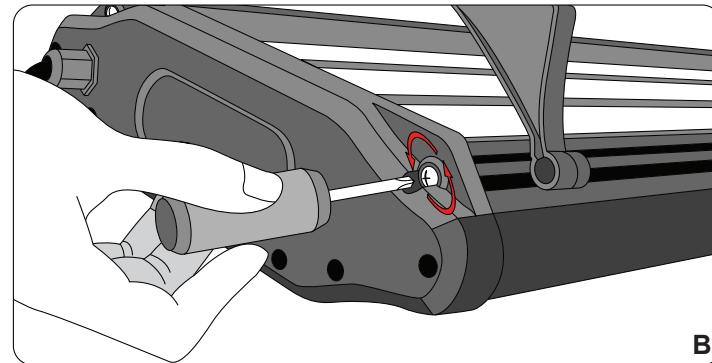
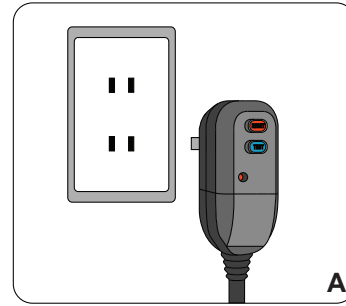
1. Position the light fixture upside down and install each leg verify that the flat side of the leg is facing outwards (A).
2. Use the 5 mm hex driver to secure the leg to bracket on the light fixture (B).
3. Adjust legs for the width of the aquarium (C) and secure legs with by tightening set screw on the bracket (D).
4. Place on top of the aquarium.
5. Plug directly into a receptacle. Note it may be required to reset the GFCI to start the light fixture. Press reset (E).



LAMP REPLACEMENT

Tools required: Phillips screwdriver and 7mm hex driver

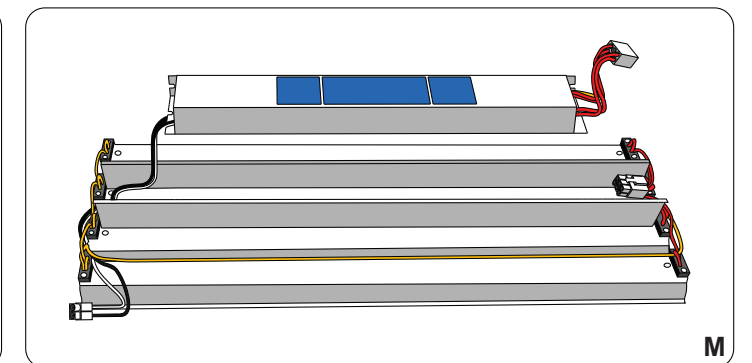
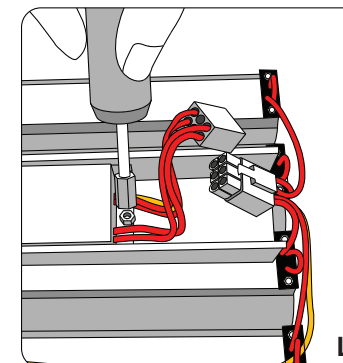
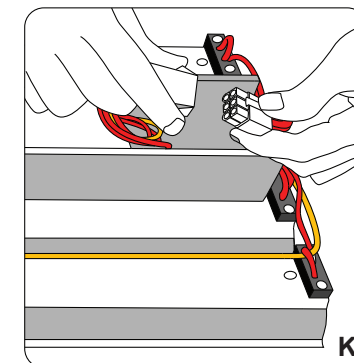
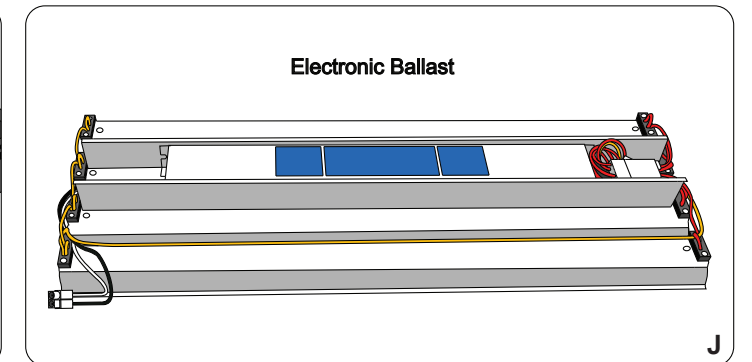
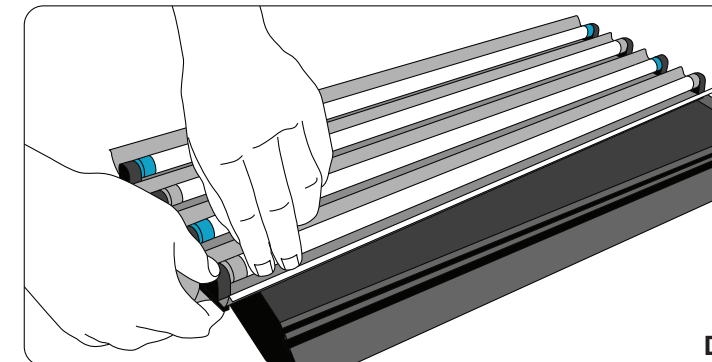
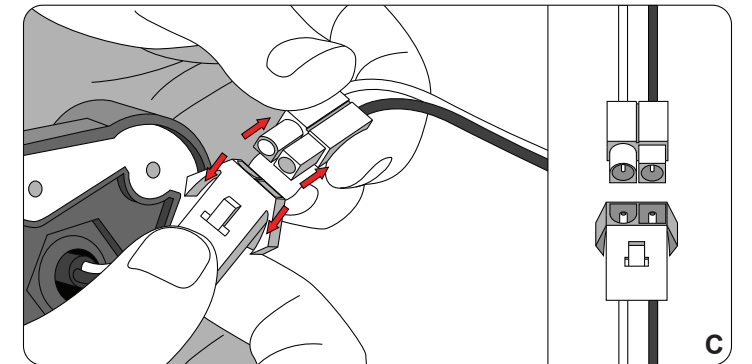
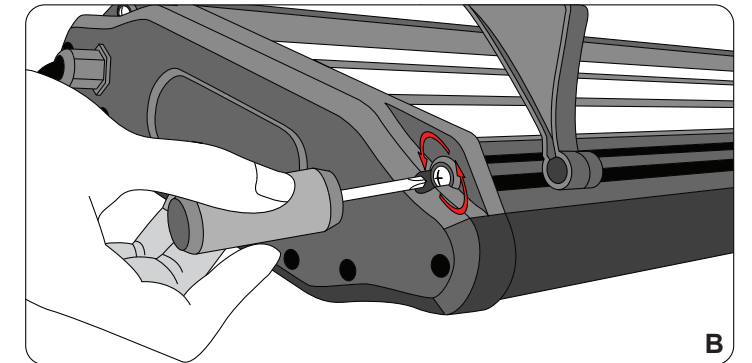
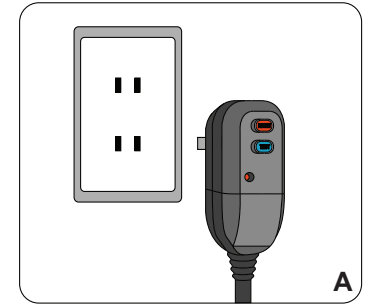
1. Unplug the unit from the receptacle (A).
2. Position the light fixture upside down on a flat surface so that the light fixture side plate with the AC cord is accessible. Loosen all 8 screws to remove the side plate (B).
3. Disconnect the side plate from the ballast (C).
4. Slide the reflector completely out of the light fixture and replace lamp (D).
5. Verify the lamps are properly installed and are securely in place before reinstalling the reflector.



BALLAST REPLACEMENT:

Tools required: Phillips screwdriver and 7mm hex driver

1. Unplug the unit from the receptacle (A).
2. Position the light fixture upside down on a flat surface so that the light fixture side plate with the AC cord is accessible. Loosen all 8 screws to remove the side plate (B).
3. Disconnect the side plate from the ballast (C).
4. Slide the reflector completely out of the light fixture and take out all lamp on the reflector to avoid damaging the lamp (D).
5. Position the reflector so the the ballast facing up (J).
6. Disconnect the power supply (K).
7. Use 7mm hex driver to loosen both nuts (L) and remove the ballast (M).
8. Replace new ballast and reinstall lamps
9. Verify the ballast and lamps are properly installed and are securely in place before reinstalling the reflector.



REINSTALL REFLECTOR

1. Align reflector with grooves inside the fixture (E & F).
2. Reconnect the ballast to the side plate.
3. Verify the wires will not crimp or impede the installation (G).
4. Replace gasket if necessary.
5. Place hood on the side and align the bottom of the side plate with the hood. Secure the bottom with a screw (H). Press down on the hood (H) and connect the top of the side plate with the hood. Secure with all 8 screws (I).

TROUBLESHOOTING

PROBLEM: All lamps will not light.

SOLUTION: Lamps in shipping have moved and are not making a proper connection. See Lamp replacement procedure for proper lamp installation.

FOR QUESTIONS AND ANSWER, VISIT OUR WEBSITE

www.wave-point.com

REPLACEMENT LAMPS

COLOR	MODEL #	DESCRIPTION
COLOR WAVE® Optimum Color Enhancer	01004	24 watt COLOR WAVE® Optimum Color Enhancer HO T5 Lamp 21in
	01005	39 watt COLOR WAVE® Optimum Color Enhancer HO T5 Lamp 33in
	01006	54 watt COLOR WAVE® Optimum Color Enhancer HO T5 Lamp 45in
TROPICAL WAVE® Full Spectrum Daylight 6,500k	01007	24 watt TROPICAL WAVE® Full Spectrum Daylight 6,500k HO T5 Lamp 21in
	01008	39 watt TROPICAL WAVE® Full Spectrum Daylight 6,500k HO T5 Lamp 33in
	01009	54 watt TROPICAL WAVE® Full Spectrum Daylight 6,500k HO T5 Lamp 45in
SUN WAVE® Super Daylight 12,000k	01010	24 watt SUN WAVE® Super Daylight 12,000k HO T5 Lamp 21in
	01011	39 watt SUN WAVE® Super Daylight 12,000k HO T5 Lamp 33in
	01012	54 watt SUN WAVE® Super Daylight 12,000k HO T5 Lamp 45in
SUPERBLUE 460® Super Blue Actinic 460	01013	24 watt SUPERBLUE 460® Super Blue Actinic 460 HO T5 Lamp 21in
	01014	39 watt SUPERBLUE 460® Super Blue Actinic 460 HO T5 Lamp 33in
	01015	54 watt SUPERBLUE 460® Super Blue Actinic 460 HO T5 Lamp 45in
REEF WAVE® Super Violet O3 Actinic 420	01016	24 watt REEF WAVE® Super Violet O3 Actinic 420 HO T5 Lamp 21in
	01017	39 watt REEF WAVE® Super Violet O3 Actinic 420 HO T5 Lamp 33in
	01018	54 watt REEF WAVE® Super Violet O3 Actinic 420 HO T5 Lamp 45in
CORAL WAVE® Coral Growth Accelerator	01022	24 watt CORAL WAVE® Coral Growth Accelerator HO T5 Lamp 21in
	01023	39 watt CORAL WAVE® Coral Growth Accelerator HO T5 Lamp 33in
	01024	54 watt CORAL WAVE® Coral Growth Accelerator HO T5 Lamp 45in
ULTRA GROWTH WAVE® Plant and Reef Accelerator	01082	24 watt ULTRA GROWTH WAVE® Plant and Reef Accelerator HO T5 Lamp 21in
	01083	39 watt ULTRA GROWTH WAVE® Plant and Reef Accelerator HO T5 Lamp 33in
	01084	54 watt ULTRA GROWTH WAVE® Plant and Reef Accelerator HO T5 Lamp 45in

30 DAY PRODUCT GUARANTEE

- **If within 30 days of purchase** you experience any problems with this Wave Point® Technology product, **return it to the retailer** where purchased for replacement. Product must be returned in its original box, with all original parts and must be accompanied by the original receipt as proof of purchase.
- **Products beyond the 30 days of purchase** that experience problems **should NOT be returned to the retailer, supplier, or distributor**. These Wave Point® products fall under the auspices of the Wave Point® Technology 1 year limited direct manufacturer warranty. All such problems must be addressed directly with Wave Point® by the warranty holder (see below).

1 YEAR DIRECT MANUFACTURER LIMITED WARRANTY

- Wave Point® Technology Inc. products are warranted to all registered warranty product owners to be free of defect in materials and workmanship for one (1) year from date of purchase.
- **URGENT: Fill out the warranty registration card included in this box** to activate registration in the Wave Point® limited warranty program. Warranty card must be completed and returned to Wave Point® Technology **within thirty (30) days of purchase** (Warranty Card).
- Under this program, Wave Point® Technology will, at its election, repair, replace or make appropriate adjustment where inspection by the Wave Point® company discloses any such defects occurring in normal usage within one (1) year after consumer purchase.
- Only properly registered Wave Point® products are eligible for this warranty service.
- After the 30 (thirty) day guarantee has expired, contact Wave Point® Technology directly for warranty product repair. Do NOT return such Wave Point® products to the retailer, distributor or supplier for repair or replacement.
- Wave Point® Technology is not responsible for any removal, installation or shipping costs incurred in the warranty process.
- Lamps are not covered under the 1 Year limited warranty.
- Warranty is void if the failure of Wave Point® product or system or any part, sealant or component thereof is found to be caused by misuse, tampering, negligence, abuse, misapplication, failure to properly maintain the product, failure to keep dry (not to come in contact with water), salt build up, or use without Ground Fault Circuit Interrupter.
- This warranty is non-transferable.
- This warranty is limited to possible parts replacement and labor connected therewith. Wave Point® Technology is not liable for any incidental or consequential damages including but not limited to loss of life, personal injury, property damage, damage to equipment, or lost wages, income, profits or savings.

Note: some US states do not allow liability limitations or exclusions on incidental or consequential damages to the extent listed in the above disclaimer. Check your local state regulations for details on regulations specific to your state.

NOTE: WAVE POINT® TECHNOLOGY'S WARRANTY POLICY IS SUBJECT TO CHANGE WITHOUT NOTICE.

OPTIONAL 3 YEAR PREMIUM EXTENDED WARRANTY

is available for purchase online at www.wave-point.com/extendedwarranty.html

- Wave Point® Technology product owners may purchase our 3 Year Premium Extended Warranty online on our web site within 30 days of purchase prior to the expiration of the 30 Day Product Guarantee. This warranty covers all major parts and labor for 3 years from date of purchase.
- Costs are based on the equipment being placed under extended warranty. The costs for all extended warranty plans are available online on the web site.
- Lamps are not covered under 3 year extended warranty.
- For complete details and enrollment go to www.wave-point.com/extendedwarranty.html

NOTE: WAVE POINT® TECHNOLOGY'S WARRANTY POLICY IS SUBJECT TO CHANGE WITHOUT NOTICE.

RETURNING PRODUCTS FOR WARRANTY REPAIR

Contact Wave Point® Customer Support at www.wave-point.com/helpdesk.html for all trouble shooting, warranty verification and return authorization numbers.

NOTE: Products returned without Return Authorization Numbers will be refused.

Procedures:

I HAVE A COPY OF MY ORIGINAL COMPLETED WARRANTY CARD:

Wave Point® product owners seeking warranty resolution should return their Wave Point® product directly to the manufacturer along with:

1. Return Authorization Number clearly written on outside of box
2. Copy of warranty card with attached copy of original receipt as proof of purchase
3. Warranty holder's address, phone number and email address if different than listed on warranty card
4. Written explanation of problem

I DO NOT HAVE A COPY OF MY ORIGINAL COMPLETED WARRANTY CARD:

In the event you do NOT have a copy of your original completed Warranty Card you may choose instead to forward your full customer contact information and proof of purchase as listed below:

1. Return Authorization Number clearly written on outside of box
2. Copy of original receipt as proof of purchase
3. Warranty holder's name, address, phone number and email address
4. The Wave Point® serial number as listed on the product being returned
5. Written explanation of the problem

Send to:

Wave Point® Technology *Email us at info@wave-point.com for the updated address

Warranty Repair Desk
300 South Lewis Rd. Unit J
Camarillo CA 93012

In the event Wave Point® products are returned for warranty work and are found to be outside the parameters of the warranty or otherwise caused by other than normal usage, the warranty holder will be contacted by phone or email and offered the option of (a) repair and return at the owner's expense, (b) return of the product to the owner "as is" at the owner's expense, or (c) disposal of the product.

Only prepaid freight returns will be accepted. All freight is the responsibility of the warranty holder.

NOTE: WAVE POINT® TECHNOLOGY'S WARRANTY POLICY IS SUBJECT TO CHANGE WITHOUT NOTICE.

RETURNING PRODUCTS FOR OUT-OF-WARRANTY REPAIR

Wave Point® owners experiencing problems with a Wave Point® product no longer under warranty may send their Wave Point® product to Wave Point® Technology for repair.

For help with, or repair of, products no longer under warranty, contact Wave Point® Customer Support at www.wave-point.com/helpdesk.html for trouble shooting tips and/or return authorization numbers. Products returned without a return authorization number will be refused.

Procedures:

Wave Point® product owners seeking product repair should return their Wave Point® product directly to the manufacturer along with:

1. Return Authorization Number clearly written on outside of box
2. Owner's name, address, phone number and email address
3. The Wave Point® serial number as listed on the product being returned
4. Written explanation of problem

SEND TO:

Wave Point® Technology *Email us at info@wave-point.com for the updated address
Repair Desk
300 South Lewis Rd. Unit J
Camarillo CA 93012

All repair and shipping costs are the responsibility of the owner. Depending on the problem and/or cost, products are not always repairable. In such instances all shipping costs remain the responsibility of the owner.

If a Wave Point® product returned for repair is found to be either non-repairable or beyond a reasonable cost to repair, the owner will be contacted by Wave Point® and offered the option of either disposal of the product or return to the owner at the owner's expense.



Wave Point® Technology

www.wave-point.com

©2012 Wave Point® Technology
Photo: ©Wave Point®
Made in China. All rights reserved

SPECIFICATIONS ARE SUBJECT TO CHANGE WITHOUT NOTICE

1 YEAR LIMITED WARANTEE OWNER REGISTRATION CARD

HIGH OUTPUT T5 Fluorescent 4 Lamp Lighting System

- Wave Point® product owners **MUST** register their purchase with Wave Point® Technology Inc. for their warranty benefits to be in effect. **Unregistered products are not eligible for warranty.**
- This warranty card must be completed and submitted within 30 days of product purchase.
- Send this completed form along with a copy of the original retail receipt as proof of purchase to:

Wave Point® Technology *Email us at info@wave-point.com for the most updated address
Warranty Submissions Desk
300 South Lewis Rd. Unit J
Camarillo CA 93012

OWNER INFORMATION

Date

Name:

Address:

City:

State/Province:

Postal Code:

Country

Email:

Cell Phone:

Work Phone:

Home PPhone:

PRODUCT INFORMATION

Product Serial Number:

Model No.

(NOTE: This is the digit number located on the PIN tag affixed to the unit)

Date of Purchase:

Seller (Retail Outlet):

Seller's Location:

Seller's Phone Number:

***Affix a copy of your original purchase receipt here**

IMPORTANT: Please make a copy of this warranty card and retain it for your records.





Wave Point® Technology

www.wave-point.com

©2012 Wave Point® Technology
Photo: ©Wave Point®
Made in China. All rights reserved

SPECIFICATIONS ARE SUBJECT TO CHANGE WITHOUT NOTICE